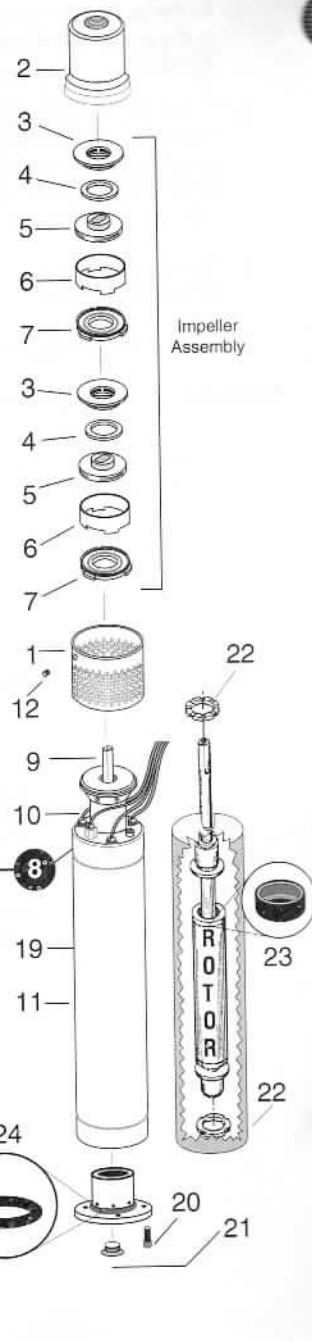
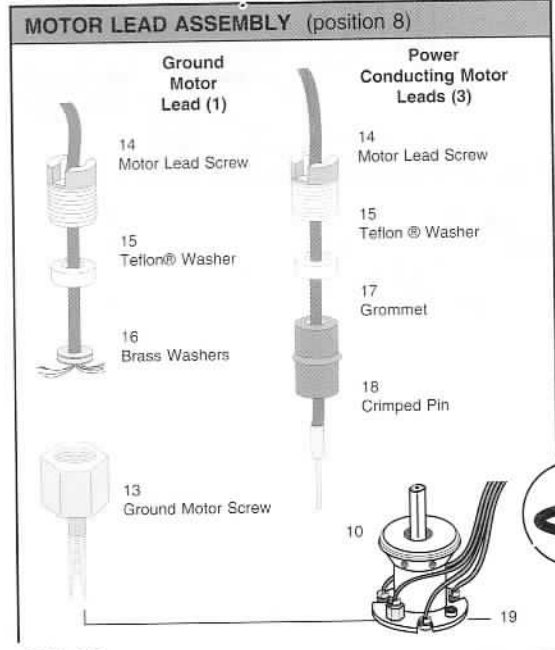


Pump Components


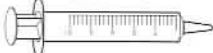

Pos. No.	Part Description	No. Used Per Pump	Part Number
1	Inlet Screen	1	1A0004
2	Pump Housing 1/2" NPT	1	1A0044
3	Guide Vane	2	see Service Kits
4	Wear Ring	2	"
5	Impeller	2	"
6	Spacer Ring	2	"
7	Wear Plate	2	"
8	Motor Lead Assembly	4	see Pos. 13 - 18
9	Shaft	1	not available *
10	Suction Interconnector	1	1A5004
11	Stator Housing	1	not available *
12	Set Screw	1	see Service Kits
13	Ground Motor Screw	1	"
14	Motor Lead Screw	4	"
15	Teflon® Washer	4	"
16	Brass Washer	2	"
17	Grommet	3	"
18	Crimped Pin	3	"
19	Motor Screw (long)	2	"
20	Motor Screw (short)	6	"
21	Filling Screw w/ O-Ring	1	"
22	Motor Thrust Washers	2	"
23	Lip Seal	1	ID5566
24	Bearing Housing O-Ring	2	see Service Kits

Teflon® is a registered trademark of Du Pont
 *Not economical to replace. Must purchase complete pump/motor



Redi-Flo2® Service Kits, Tools, and Motor Leads

Replacement parts, service tools, and motor leads are available using the following part numbers:

Service Kits			Part Number
Position No. In Diagram	Part Description	No. In Kit	
3	Guide Vane	2	125061
4	Wear Ring	2	
5	Impeller	2	
6	Spacer Ring	2	
7	Wear Plate	2	
4	Wear Ring	4	1A5050
7	Wear Plate	4	
13	Ground Motor Screw	1	1A00028
14	Motor Lead Screw	4	
15	Teflon® Washer	4	
16	Brass Washer	2	
17	Grommet	3	
18	Crimped Pin	3	
5	Impeller	2	1A00018
12	Set Screws	25	1A00038
14	Motor Lead Screws	12	1A00048
15	Teflon® Washer	25	1A00058
16	Brass Washer	25	1A00068
17	Grommet	25	1A00078
18	Crimped Pin	50	1A00088
19	Motor Screw (long)	25	1A00098
20	Motor Screw (short)	25	1A00108
21	Filling Screw with O-Ring	5	1A00118
22	Motor Thrust Washers	4	1A00128
24	Bearing Housing O-Ring	10	1A5117
Teflon® is a registered trademark of DuPont			
Service Tools			Part Number
Special Motor Lead Screwdriver			SV0370
Syringe (to refill motor)			ID6066
Crimping Tool Kit (Required to crimp, "crimped pin").			1A00141
All motor leads come with a VFD Plug attached and a special Motor Lead Screwdriver			
		30 foot length	1A 5100
		50 " "	1A 5101
		75 " "	1A 5102
		100 " "	1A 5103
		125 " "	1A 5104
		150 " "	1A 5105
		175 " "	1A 5106
		200 " "	1A 5107
		250 " "	1A 5108
		300 " "	1A 5109